

1100 Series 1106A-70TAG2 Diesel Engine – Electropak

144.1 kWm net power @ 1500 rpm
164 kWm net power @ 1800 rpm

Building upon Perkins proven reputation within the power generation industry, the 1100 Series range of Electropak engines now fit even closer to customers needs.

In the world of power generation success is only gained by providing more for less. With the 1106A-70TAG Perkins has engineered even higher levels of reliability, yet lowered the cost of ownership.

1100A units are designed for territories that do not require compliance to EPA or EU emissions legislation. These engines are assembled around optimal, efficient manufacturing processes with state-of-the-art technology. They are built to provide the exact power solution for customers who sell their applications into lesser regulated countries.

Focusing on our common platform theme, changes to engine envelope dimensions and connection points have been kept to a minimum.



Dependable power

- The Perkins 1106A-70TAG2 delivers up to 165 kVA standby at 50 Hz and 150 kWe standby at 60 Hz, providing greater productivity through an improved power to weight ratio
- This world-class power density has been achieved in a 7 litre engine, using a mechanical fuel injection system; making this engine robust for all markets, with the ability to cope with the variation of fuel qualities around the world

The 1106A has been designed for excellent load acceptance to ensure your facility is powered quickly at all conditions

Low operating costs

- Service intervals are set at 500 hours as standard
- Perkins provides comprehensive warranty cover for two years (up to 3,000 hours), with three years on major engine components
- A low usage warranty package is also available

World class product support

- Through an experienced global network of distributors and dealers, fully trained engine experts deliver total service support around the clock, 365 days a year. They have a comprehensive suite of web based tools at their finger tips, covering technical information, parts identification and ordering systems, all dedicated to maximising the productivity of your engine
- Perkins actively pursues product support excellence by insisting our distribution network invest in their territory to provide you with a consistent quality of support across the globe
- Throughout the entire life of a Perkins engine, we provide access to genuine OE specification parts giving 100% reassurance that you receive the very best in terms of quality for lowest possible cost... wherever your Perkins powered machine is operating in the world

Discover more

www.perkins.com

www.perkins.com/esc

www.perkins.com/distributor

To find your local distributor

Engine Speed rpm	Type of Operation	Typical Generator Output (Net)		Engine Power			
				Gross		Net	
		kVA	kWe	kWm	hp	kWm	hp
1500	Prime Power	150	120	136.0	182.4	131.0	175.7
	Standby (maximum)	165	132	153.6	206.0	144.1	193.2
1800	Prime Power	169	135	155.0	207.9	147.0	197.1
	Standby (maximum)	188	150	176.0	236.0	164.0	218.6

Photographs are for illustrative purposes only and may not reflect final specification.

All information in this document is substantially correct at time of printing and may be altered subsequently.
Publication No. PN3054/10/13 Produced in England ©2013 Perkins Engines Company Limited

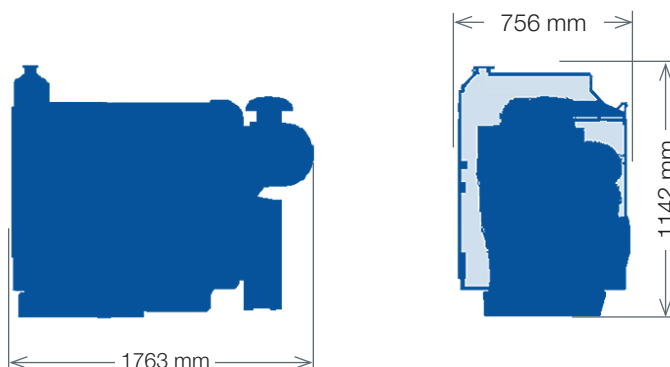
 **Perkins**[®]

THE HEART OF EVERY GREAT MACHINE

1100 Series 1106A-70TAG2 Diesel Engine – Electropak

144.1 kWm net power @ 1500 rpm

163 kWm net power @ 1800 rpm



Engine specification

- Tropical radiator pipes and guards
- Flywheel housing
- Flywheel and starter ring
- Oil filters
- Starter motor
- Air cleaners and brackets
- Lubricating oil sump
- Alternator
- Induction manifolds
- Exhaust manifolds
- Fuel filter
- Cold start aid
- Engine mountings

Engine data

Number of cylinders Vertical in-line 6 cylinder
Bore and stroke..... 105 x 135 mm (4.13 x 5.31 in)
Displacement 7.01 litres (428 cubic in)
Aspiration Turbocharged aftercooled
Cycle.....4 stroke
Combustion system.....Direct injection
Compression ratio 16:1
Engine rotationAnti-clockwise viewed on flywheel
Cooling system..... Liquid
Total lubrication capacity..... 16.5 litres (4.36 US gal)
Total coolant capacity 21 litres (5.5 US gal)
Dimensions – Length 1763 mm (69.4 in) with air cleaner
Width 756 mm (29.8 in)
Height 1142 mm (45 in)
Dry weight..... 788 kg (1737 lbs)

Final weight and dimensions will depend on completed specification



DAI LIENG TRADING SDN BHD (223694-K)
Lot 2541, Jalan Manettia, Piasau Lorong 8,
Pujut-Lutong Road, P.O. Box 1337,
98008 Miri, Sarawak, Malaysia
Tel: 085-655855 (6 lines) Fax: 085-655618
E-mail : info@dailieng.com.my
Website: www.dailieng.com.my