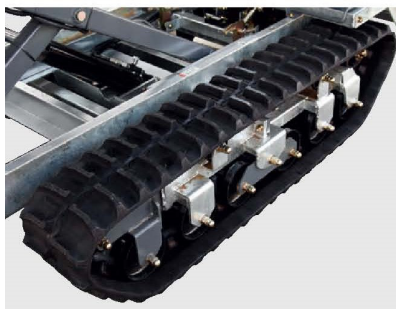


HTI-LD1000C-D Crawler Mini Dumper



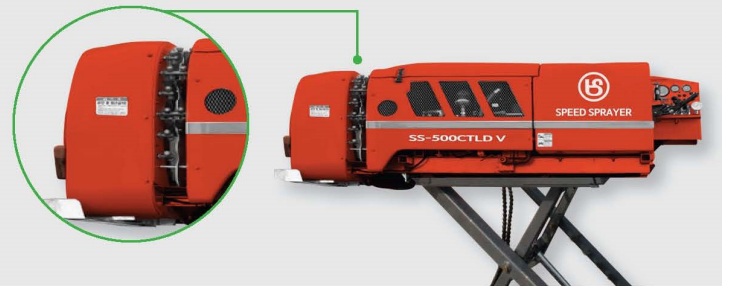
- Anti-Derail Crawler for All Terrain Road or Land
- Wide Ground Contact Area Best for Peat Soil
- Rust-free Steel Frame in the Crawler and Main Body

- Load Capacity
 - Net : 1,200kg
 - Max. : 1,400kg

- Max.1.8M Lift Heights
- Max.70° Dump Angle



360°

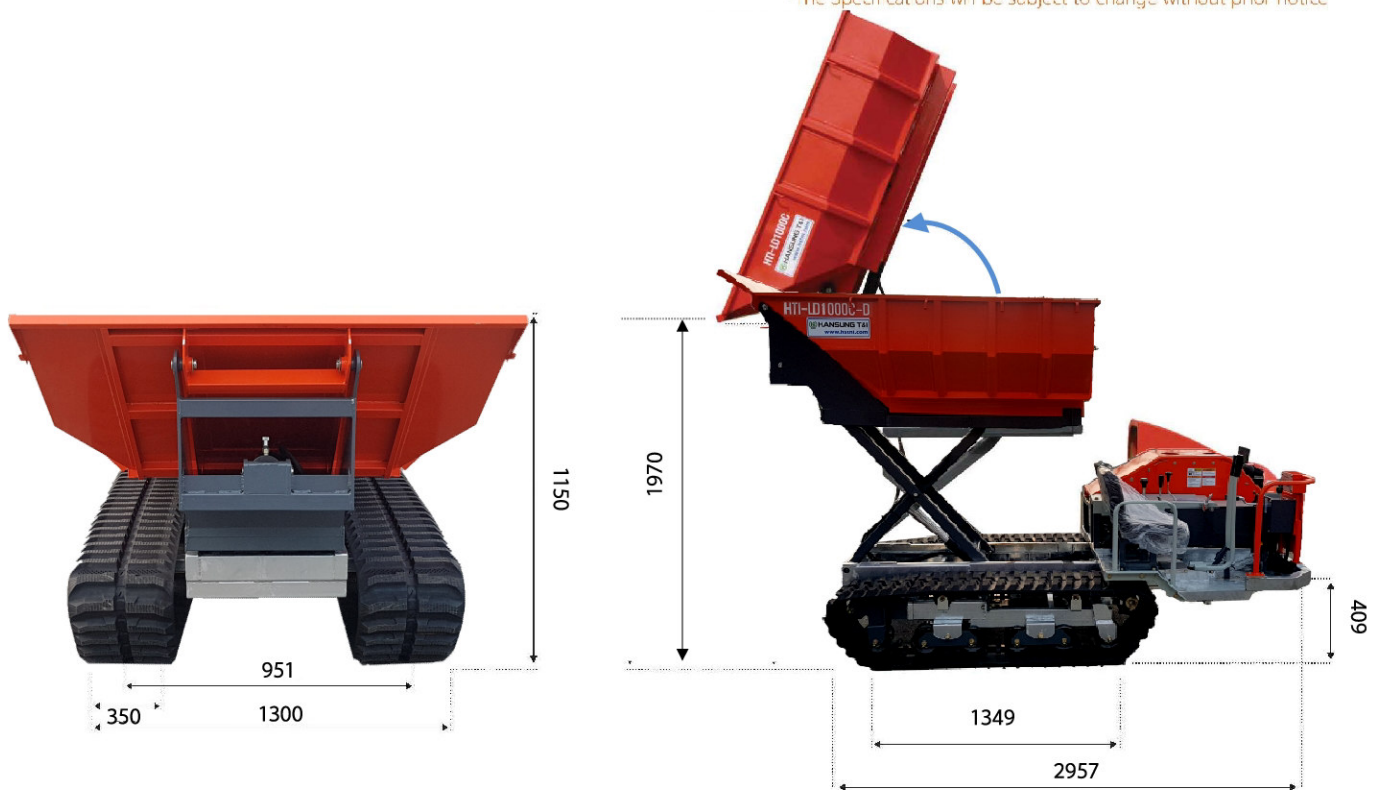
- Ergonomic Design for Operator's Convenience

- Zero Turn Radius
- Climbable 30° of Slope

- Convertible into a Sprayer
- 10-15M of Spraying Coverage
- Partial Spraying System(Left/Right/Up)

DESCRIPTION		SPECIFICATION	
MODEL		HTI-LD1000C-D	HTI-LD1000C-D(DO)
DUMPING ACTION		LIFT & DUMP	DUMP ONLY
TYPE		RIDE ON MINI DUMPER	
OVERALL SIZE(L×W×H)		2990 × 1470 × 1270 (mm)	
DECK SIZE(L×W×H)		1750 × 1340 × 465 (mm)	
LOAD CAPACITY		Net :1000 kg Max : 1200 kg	
GROSS WEIGHT		1070 kg	
GROUND CLEARANCE		400 mm	
CRAWLER SIZE (Width × Pitch × Links)		350mm × 72mm × 52	
ENGINE	MODEL / FUEL	ND10DE(DAEDONG) / DIESEL	
	ENGINE TYPE	WATER COOLED SINGLE CYLINDER 4 CYCLE HORIZONTAL DIESEL TYPE	
	MAX OUTPUT(ps/rpm)	13HP(9.75kw) / 2400	
	STARTER	ELECTRIC STARTER	
DUMP	MAX. LIFT HEIGHTS	2080 (mm)	
	DUMPING HEIGHTS	STANDBY POSITION	1150 (mm)
		MAX. LIFTED POSITION	1970 (mm)
HYD' SYSTEM	ACTING TYPE	DOUBLE ACTING HYD' CYLINDER	
	HYD' TANK CAPACITY	2.5 ℓ	
TRAVEL SPEED (km/h)	FORWARD	L1:1.5, L2:3.0, H1:2.4, H2:5.0	
	BACKWARD	L:1.6, H:2.7	

*The Specifications will be subject to change without prior notice



HANSUNG T&I
www.hstni.com



DAI LIENG TRADING SDN BHD (223694-K)
Lot 2541, Jalan Manettia, Piasau Lorong 8,
Pujut-Lutong Road, P.O. Box 1337,
98008 Miri, Sarawak, Malaysia
Tel: 085-655855 (6 lines) Fax: 085-655618
E-mail : info@dailieng.com.my
Website: www.dailieng.com.my